

Holders for adjusting the direction of various sizes of polarizing prisms including Glan-Thompson prisms. Appropriate for precision alignment of Glan-Thompson prisms or for polarimeter devices.

- The fine adjustment mechanism in the SPH can be used to detect an extinction ratio of 10⁻⁵ or less.
- The scale plate on the PH and SPH series can be positioned to provide a convenient reference to the polarizing axis.
- Reference C049
- The SPH can be post mounted with the micrometer at the top or at the side for convenient operation in a variety of environments.
- The SPH includes a locking mechanism to prevent accidental adjustments.
- Polarizing prisms are held in place with retaining rings.



Guide

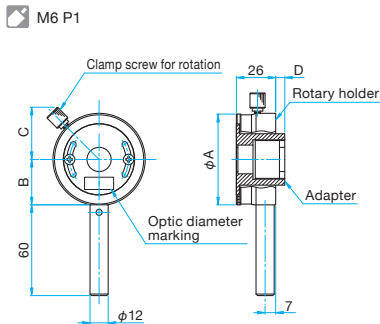
- ▶ Post length can be changed. If the length of post is specified at the time of purchase, this product will be delivered after replacing posts. Post replacement is gratis, but contact our International Sales Division because there may be extra charges due to differences in length.
- ▶ Holders for polarizing prisms of diameters or thickness not in the specifications listed in the catalog can be made to order.
- ▶ Please contact our International Sales Division if you need adapters equipped with an incidence angle adjustment function for polarizing prism.
- ▶ Please contact our International Sales Division if you need adapters equipped with eliminated light exit port for gran laser prism.

Attention

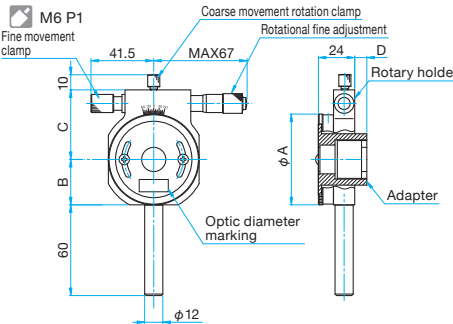
- ▶ The prices of rotary holders and adapters do not include the price of Polarizing prisms. Purchase Polarizing prisms separately.
- Reference B094
- ▶ Rotary holders and adapters (GTPC-ADP) are sold separately. Purchase the combination of three items, a Polarizing prism, adapter and rotary holder, by checking the combinations listed in the following specification table.

Outline Drawing

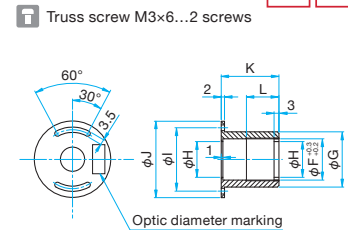
GTPC-PH30/GTPC-PH50 & GTPC-ADP



GTPC-SPH30/GTPC-SPH50 & GTPC-ADP



GTPC-ADP



Holder Part Number	Adapter Part Number	φA (mm)	B (mm)	C (mm)	D (mm)
GTPC-PH30	GTPC-ADP15-29	φ60	30	34.3	7.5
GTPC-PH30	GTPC-ADP25.4-31	φ60	30	34.3	9.5
GTPC-PH30	GTPC-ADP30-39	φ60	30	34.3	17.5
GTPC-PH30	GTPC-ADP30-53	φ60	30	34.3	31.5
GTPC-PH50	GTPC-ADP38-49	φ80	40	41.3	27.5

Holder Part Number	Adapter Part Number	φA (mm)	B (mm)	C (mm)	D (mm)
GTPC-SPH30	GTPC-ADP15-29	φ60	30	46	9.5
GTPC-SPH30	GTPC-ADP25.4-31	φ60	30	46	11.5
GTPC-SPH30	GTPC-ADP30-39	φ60	30	46	19.5
GTPC-SPH30	GTPC-ADP30-53	φ60	30	46	33.5
GTPC-SPH50	GTPC-ADP38-49	φ80	40	57	29.5

Adapter Part Number	φF (mm)	φG (mm)	φH (mm)	φI (mm)	φJ (mm)	K (mm)	L (mm)
GTPC-ADP15-29	φ15	φ34	φ12	φ39	φ47	33.5	19
GTPC-ADP25.4-31	φ25.4	φ34	φ22	φ39	φ47	35.5	20
GTPC-ADP30-39	φ30	φ34	φ27	φ39	φ47	43.5	21
GTPC-ADP30-53	φ30	φ34	φ27	φ39	φ47	57.5	19
GTPC-ADP38-49	φ38.1	φ54	φ35	φ60	φ67	53.5	26

Simple Type

Holder Part Number	Adapter Part Number	Compatible Optics Diameter [mm]	Compatible Optics Thickness [mm]	Scale MIN Reading [°]	Total Weight [kg]
GTPC-PH30	GTPC-ADP15-29	φ15	15 – 29	1	0.25
GTPC-PH30	GTPC-ADP25.4-31	φ25.4	16 – 31	1	0.22
GTPC-PH30	GTPC-ADP30-39	φ30	23 – 39	1	0.21
GTPC-PH30	GTPC-ADP30-53	φ30	39 – 53	1	0.22
GTPC-PH50	GTPC-ADP38-49	φ38	28 – 48.9	1	0.41

Precision Type

Holder Part Number	Adapter Part Number	Compatible Optics Diameter [mm]	Compatible Optics Thickness [mm]	Fine Adjustment Range [°]	Vernier MIN Reading [']	Micro Indicator Conversion [°/DIV]	Total Weight [kg]
GTPC-SPH30	GTPC-ADP15-29	φ15	15 – 29	±5	5	about 0.014	0.33
GTPC-SPH30	GTPC-ADP25.4-31	φ25.4	16 – 31	±5	5	about 0.014	0.30
GTPC-SPH30	GTPC-ADP30-39	φ30	23 – 39	±5	5	about 0.014	0.29
GTPC-SPH30	GTPC-ADP30-53	φ30	39 – 53	±5	5	about 0.014	0.30
GTPC-SPH50	GTPC-ADP38-49	φ38	28 – 48.9	±3	5	about 0.012	0.62